

DATASHEET

Name:
Type:
Designed by:

BUOY
Pendant Light
Václav Mlynár

bomma

DESCRIPTION

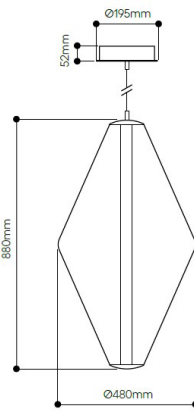
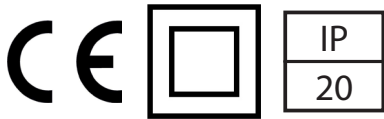
Buoy's diffusion light rod running through the glass body is made from sandblasted polycarbonate that perfectly distributes the light. In its center are numerous LED chips, while the upper and lower part of the light are enclosed by a metal plate. The metal comes in either a silver or black version that can be further combined with various tones of glass. The colors of the glass enhance the minimalist form of the light, providing a choice of crystal clear glass, sophisticated smoke gradient or a delicate opaque veil.

TECH. DESCRIPTION

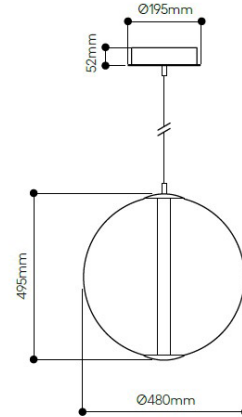
The Buoy Collection is made by underlying colored glass technology. Thanks to the manual process of blowing underlay glass, each piece is an original. Individual products may vary slightly in intensity, hue or even color. This is an accompanying characteristic of the traditional underlay glass technology.



CERTIFICATES



Double Cone



Sphere

CONSTRUCTION SPECIFICATIONS

Weight: 21 kg
Construction material: mouth-blown lead-free crystal
Cord Length: 2,500 mm
Mounting: Ceiling
Environment: Indoor

ELECTRICAL SPECIFICATIONS

Input voltage [V]: 110 - 120 V
Frequency [Hz]: 50-60 Hz
Max. power [W]: 18.9 W
Coverage IP: 20
Socket: -
Light source: LED module
Class: I

Weight: 17 kg
Construction material: mouth-blown lead-free crystal
Cord Length: 2,500 mm
Mounting: Ceiling
Environment: Indoor

Input voltage [V]: 110 - 120 V
Frequency [Hz]: 50-60 Hz
Max. power [W]: 12.6 W
Coverage IP: 20
Socket: -
Light source: LED module
Class: I

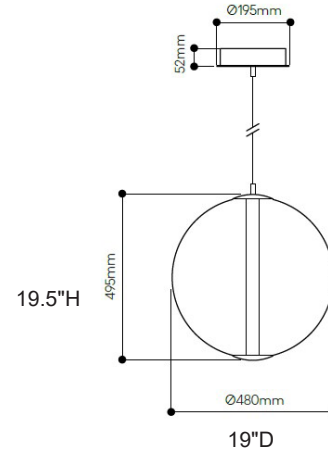
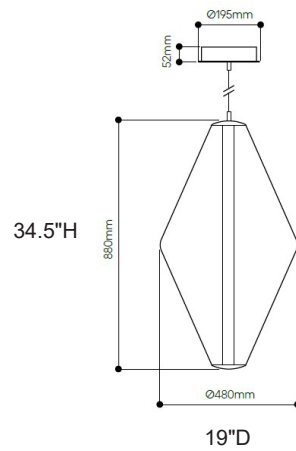
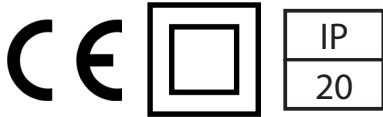
DATASHEET

Name:
Type:
Designed by:

BUOY
Pendant Light
Václav Mlynár

bomma

CERTIFICATES



LED SOURCE - BUOY

Socket
Type
Lamp wattage [W]
Input voltage [V]
Class
Flux [lm]
Light colour [K]
CRI
Lifespan [h]
Dimmable
Dimensions h x w [mm]

Double Cone

-
LED module
18.9 W
110-120 V
I
3800 lm
2700K
90+
-
Non - Dimmable
880mm x 480mm
34.5"H x 19"D

Sphere

-
LED module
12.6 W
110-120 V
I
3200 lm
2700K
90+
-
Non - Dimmable
495mm x 480mm
19,5"H x 19"D